

Weedoo®
workboats



SiltSucker PLUS

Other Recommended Accessories

Root Rake



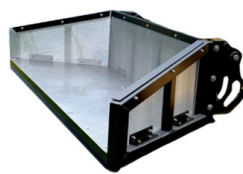
Lift Kit



Oil Skimmer



Skimmer Bucket



Hydraulic Pole Saw



Bimini



HOW MUCH SILT CAN A SILTSUCKER SUCK?

Plenty! Rip, shear, shred, repeat.

- **Suck in seconds**—Quick-change attachment for the TC 3000
- **3" hydraulic-powered pump**—Designed for silt and sediment removal
- **360° shredding action**—Rips and shears solids
- **Rid slurry in a hurry**—Discharge hose can pump slurry up to 250 feet and a flow up to 350 gals per minute
- **Small size, big results**—Perfect for stormwater drains, marinas, lakes and channels
- **Factory Direct**—No middle-person markups save time and money
- **Boat not included**—You're gonna want that. Ask us about it.

Rocks are something we do not claim to pump. Pumping rocks can damage the pump and will void the warranty.



S3SHR 3" Hydraulic Submersible Shredder Pump

West Palm Beach, Florida
weedoboats.com • 561-204-5765

Nothing Cleans Waterways Better Than Weedoo!



SiltSucker PLUS SPEC SHEET

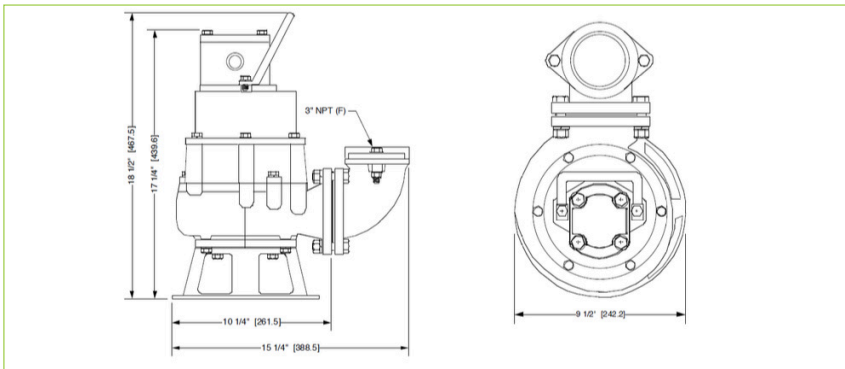


SiltSucker PLUS

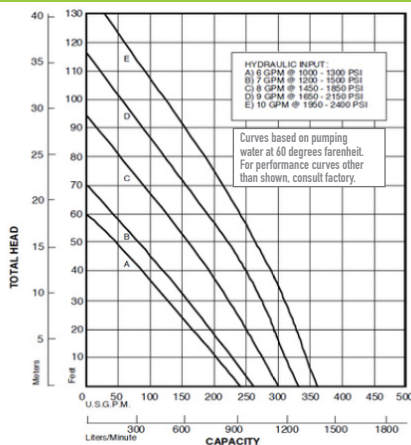
	US	Metric
Overall Length	7 ft	213 cm
Depth	variable 0-7 ft	120-243 cm
Solids diameter max size	1.625 in	42 mm
Weight	120 lbs	54 kg
Max pump flow	350 GPM	1324 LPM



Model S3SHR 3" Shredder Pump Overall Dimensions



S3SHR Typical Performance



West Palm Beach, Florida
weedoboats.com • 561-204-5765

Nothing Cleans Waterways Better Than Weedoo!

